

# ROCIA.planar

## HIGH OUTPUT LED TASK LIGHT

### FEATURES:

- Rugged aluminum housing for long life
- 50,000 hour maintenance-free operation
- Integrated power supply
- Impact resistant cover protects mechanics inside from rough environment
- Protection rating up to IP67
- 3D head joint for precise adjustability
- Rubber switch conveniently located on head
- High-resistance coating against heat, oils
- No stroboscopic effect
- No heat generated in the direction of the light beam
- Sealed IP65 housing

### SPECIFICATIONS:

Voltage	100-240 VAC, 50/60 Hz
Lamping	LED
Color Temperature	5000 K
Color Rendering (CRI)	>80
Luminaire Material	anodized aluminum
Lens Material	satine polycarbonate
Arm Style	27" double arm
Dimensions	3" x 4" head
Connection	10' cable with NEMA 5-15P
Protection Rating	IP65
Certification	ETL/cETL
Mounting and Accessories	See page 70



ROCIA.planar is a robust task light engineered specifically for the industrial environment. With an IP65 sealed housing, the full-metal design protects the inside workings from dust, coolants and oils very often found in these types of areas. Wide area illumination lights up a sizeable space with 5000 K crisp white light. Its 3D head joint and spring-balanced arm guarantee easy positioning and ergonomic comfort. Maintenance-free LED technology offers 50,000 hours of LED life.



Machine

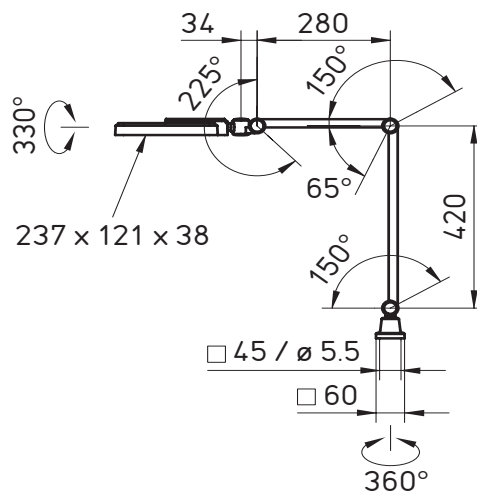
Task & Workbench

Magnification & Inspection

Facility Lighting

Accessories

**DIMENSIONAL DATA**



Measurements in millimeters

**ORDERING INFORMATION**

Description	Wattage	Voltage	IP Rating	Lumens	Model	Part #
Double arm	18 W	100-240 VAC	IP65	1500	RPD 1700/850	113458000-00699752
External Operating Devices	Max. Wattage	Input	Output	Part #		
	20 W	100-277 VAC, 50/60 Hz	24 VDC	209585029		
Mounting Options	Item	Dimensions	Part #			
	Table clamp	0 – 2.75"	190007019-00014904			
	Table clamp	2.5" – 5.4"	190033019-00014950			
	Wall mount	2.4" x 2.8"	300213018-00021578			